

# UbiQ-360

## 7" Mobile AV Control Panel

**NEW**



### Features

- High performance platform with Freescale i.MX31
- 7" 16:9 LCD with Touchscreen
- Mobile scenario & A/V control device
- Multiple wireless control interface: Wi-Fi(802.11 b/g)/Zigbee
- Infrared Remote Control with Smart Learning Program
- Long battery life with power saving technology
- Six programmable function keys
- Built-in Microphone and Speaker
- Microsoft Windows® CE 5.0
- Advantech SUSI API manager is supported for easy SI development
- Desktop cradle & ZigBee supported (optional)



### Introduction

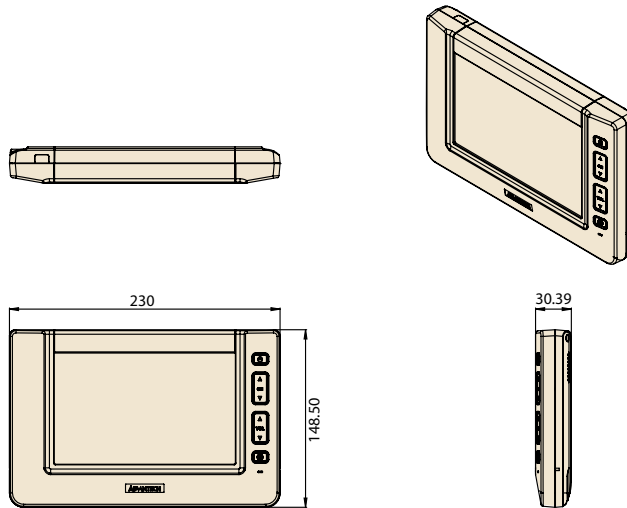
UbiQ-360 series is the first mobile A/V control device that incorporates both ZigBee™ (802.15.4 compliant) and Wi-Fi (802.11 b/g compliant) wireless connection capability; which is ideal for facility control in home theater and home automation application. UbiQ-360 series is equipped with a 7.0" widescreen (16:9 aspect ratio) TFT LCD with resistive touch screen. Weighted just 800g, UbiQ-360 series can be easily hand-carried by users to control various audio and video equipments via touch of the screen.

### Specifications

Processor		Freescale i.MX31 523 MHz
Memory	Size	256 MB
	Module Type	Mobile DDR
OS Support		Windows CE 5.0
Display	Size/Type	7" TFT color LCD
	Max. Resolution	800 x 480
	Brightness (cd/m <sup>2</sup> )	280 cd/m <sup>2</sup>
	Viewing Angle	130/110
	Brightness Control	PWM
VGA	Chipset	CPU build-in
Storage / Type		NAND 256 MB flash on board SD Slot (Optional, up to 32 GB SDHC)
I/O Port	Rear I/O	USB 2.0 Port x 1 (Host/Client, support Active Sync)
Mechanical	Mounting Type	Portable/Cradle
	Dimension (W x H x D)	230.0 x 148.5 x 30.5 mm
Hot Key		Five programmable function keys
LED		3
Wireless		WiFi (802.11 b/g, IR sender x 1, IR receiver x 1)
Audio	Chipset	WOLFSON_WM8750
	SPK /MIC	Speaker x1 output, Microphone x1 input
Power	Output Rating	19 V <sub>DC</sub>
	Input Voltage	100 ~ 240 V <sub>AC</sub>
	Battery	Battery hard Pack (3S1P, 3.7 V, 2100 mAh)
Touchscreen	Technology	Resistive (Controller)
	Cycle	10 million touches
Temperature	Operation	0 ~ 40° C
Certificate		CE/FCC Class B, CCC, BSMI, UL, CB

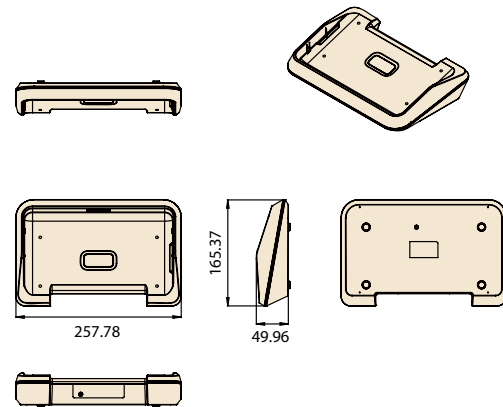
### Dimensions

Unit: mm

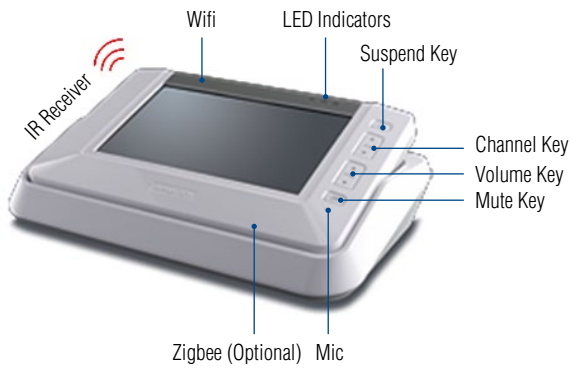


### Charging Cradle

Unit: mm



### I/O Placement



### Ordering Information

Part Number	Description
UBIQ-360-ENWCLE	UbiQ-360 W/T Adapter & Cradle
UBIQ-360-ENWOLE	UbiQ-360 W/T Adapter & W/O Cradle
UBIQ-360-CRADLE	UbiQ-360 Cradle

### Packing List

Description	Quantity
UbiQ-360 Unit	1
User Note & License	1
Desk-top Cradle (Optional)	1
DC19 V Adapter	1

### Options

Description	Quantity
Desktop Cradle	1
Zigbee Module	1